

# ATLANTIC

## WINCHES

# Electric Marine Winch



JETSKI



TINNY BOAT



BOAT UP TO 14FT



BOAT UP TO 18FT



BOAT UP TO 20FT



BOAT UP TO 22FT



CABLE



PRODUCT	CAPACITY	GEAR RATIO	CABLE TYPE	HOOK TYPE	POWER
CEW2000C	900kg (2000lb)	460:1	9m x 4.8mm cable	Snap Hook	12V / 280w
CEW3000C	1350kg (3000lb)	729:1	9m x 5.5mm cable	Snap Hook	12V / 300w

*These entry-level marine winches are economically-priced that can really perform. Our range of Cadet Electric Winches are available in two different gear ratio sizes with load capacity ratings operating from 900kg up to 1350kg.*

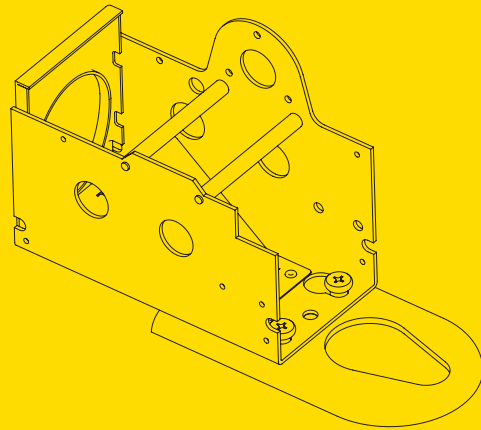
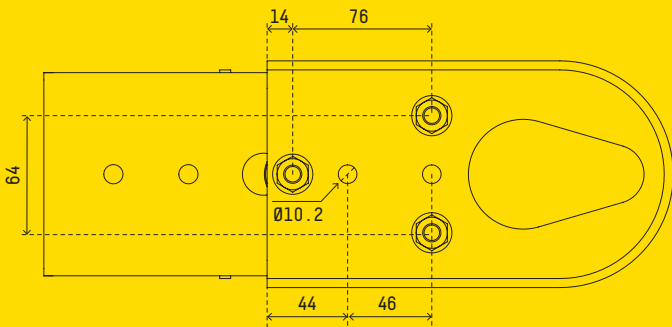
For more information call 1300 214 049, visit our website at [atlanticproducts.com.au](http://atlanticproducts.com.au) or email [sales@atlanticproducts.com.au](mailto:sales@atlanticproducts.com.au)



# ATLANTIC

## WINCHES

	CEW2000C	CEW3000C
<b>GEAR RATIO</b>	460:1	729:1
<b>CABLE/WEBBING/ROPE TYPE</b>	Cable	Cable
<b>HOOK TYPE</b>	Snap Hook	Snap Hook
<b>APPLICATION (VESSEL TYPE)</b>	Incline Pull (Boat Trailer)	Incline Pull (Boat Trailer)
<b>CABLE/WEBBING/ROPE LENGTH (MAXIMUM LENGTH)</b>	9m x 4.8mm –	9m x 5.5m –
<b>CAPACITY</b>	900kg (2000lb)	1350kg (3000lb)
<b>RATCHET TYPE</b>	Gearshift	Gearshift
<b>UNIT WEIGHT</b>	10.8kg	10.8kg
<b>TOTAL DIMENSIONS (W X H X D)</b>	241 x 191 x 254	241 x 191 x 254
<b>BARCODE NUMBER</b>	9337451001692	9337451001708



ELECTRIC MARINE WINCH DIMENSIONS

For more information call 1300 214 049, visit our website at [atlanticproducts.com.au](http://atlanticproducts.com.au) or email [sales@atlanticproducts.com.au](mailto:sales@atlanticproducts.com.au)

