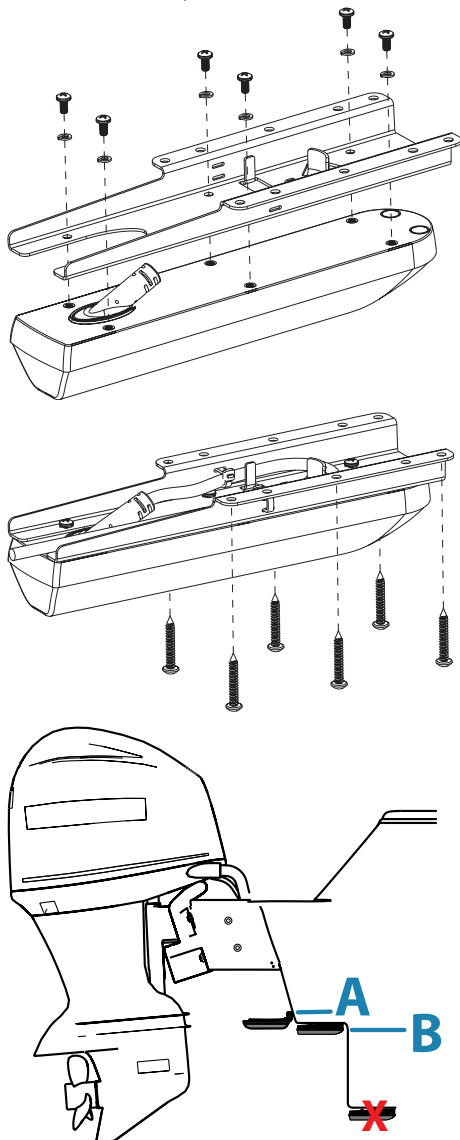


Scan here  
to save a copy



## ACTIVE IMAGING™ HD (TRANSOM) FLUSH MOUNT BRACKET INSTALLATION GUIDE

To mount the Active Imaging™ HD (Transom) transducer directly to your boat's transom step (direct step mount), use the flush mount bracket (sold separately, part number 000-16095-001).



- A. Step mount (transom bracket)  
B. Step mount (flush bracket)

**⚠ WARNING:** Do not mount the transducer under the hull. The transducer is better protected when mounted above the bottom of the hull. There is less chance of damage from obstructions in the water, or when trailering and launching the boat. Do not mount the transducer in line with or near water intake or discharge openings or behind strakes, fittings, or hull irregularities that will disturb the water flow.

→ **Note:** Sonar does not track bottom when the transducer is out of the water.

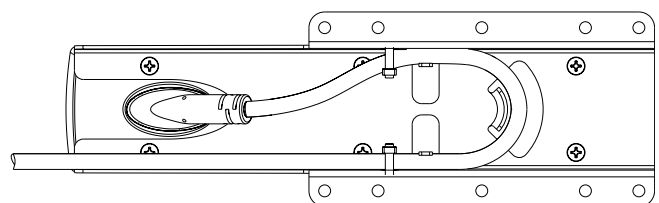
For safety information, refer to the documentation supplied with the Active Imaging™ HD (Transom) transducer.

Required parts (not supplied):

- #10 self-tapping mounting screws (6)
- Pilot hole drill bit for self-tapping metal screws
- Marine high-grade below-waterline sealant/adhesive compound

### To direct step mount using the flush bracket:

1. Locate a flat area on the boat's step that is big enough for the mounting bracket's flanges.
- **Note:** Ensure that the mounting screws are placed on a flat surface and not on a rounded portion of the step/hull.
2. Hold the assembly in the desired position. Use a pencil to mark the pilot holes through the mounting holes on the flush bracket.
3. Drill the pilot holes.
4. Attach the transducer to the flush bracket using the M4 transducer attachment screws and lock washers supplied with your Active Imaging™ HD (Transom).
5. Route the transducer cable around the cable routing tabs and secure with cable ties.



6. Apply a marine high-grade below-waterline sealant/adhesive compound to the pilot holes.
7. Align the flush bracket mounting holes over the pilot holes and mount the assembly to the step using self-tapping metal screws (not supplied).
8. Route the transducer cable to your multi-function display or sonar module.
9. Connect the transducer cable to the sonar port on the display or sonar module.